



PRODUCTS  
OVERVIEW

BOHAMET

BOHAMET S.A. has been the undisputed leader in the production of ship windows and doors for almost 40 years. From the beginning of its activity, BOHAMET S.A. focuses on the development and continuous improvement of production processes so that the company's products better meet the growing needs of customers. Thanks to the high quality of our products and services, we have earned the opinion of a reliable and trustworthy partner.

The offer of BOHAMET S.A. includes elements manufactured in three plants: a ship window and door production plant, an aluminum joinery production plant, and a glass processing plant.

The ship window and door production plant produces various types of ship windows, steel, aluminum and GRP doors, as well as hatches and wiper systems. The EX department belonging to this plant produces mining equipment such as highly advanced explosion-proof boxes.

The glass processing plant supplies panes for the production of windows for its own needs, as well as panes as a separate product.

The aluminum joinery production plant is the youngest plant, it has been operating since 2010. It supplies balcony systems, hinged and sliding doors, windows, facades and other specialized products.



# SHIP WINDOWS



## SHIP WINDOWS - FIXED



<b>installation method</b>	welded
<b>shapes available</b>	rectangular, trapezoid, circular, oval, special
<b>frame material</b>	ST, SS, AL
<b>glass retainer material</b>	ST, AL, brass
<b>optional mulion options</b>	vertical, horizontal external storm cover, deadlight



<b>installation method</b>	bolted
<b>shapes available</b>	rectangular, trapezoid, circular, oval, special
<b>frame material</b>	ST, SS, AL
<b>glass retainer material</b>	ST, AL, brass
<b>optional mulion options</b>	vertical, horizontal external storm cover, deadlight



<b>installation method</b>	clamped
<b>shapes available</b>	rectangular, trapezoid, circular, oval, special
<b>frame material</b>	ST, SS, AL
<b>glass retainer material</b>	ST, AL, brass
<b>optional mulion options</b>	vertical, horizontal external storm cover, deadlight

## SIDE SCUTTLES - FIXED



<b>installation method</b>	welded
<b>frame material</b>	ST, SS, AL
<b>glass retainer material</b>	ST, AL, brass
<b>optional mulion options</b>	vertical, horizontal external storm cover, deadlight



<b>installation method</b>	bolted
<b>frame material</b>	ST, SS, AL
<b>glass retainer material</b>	ST, AL, brass
<b>optional mulion options</b>	vertical, horizontal external storm cover, deadlight

## SHIP WINDOWS - OPENING



<b>installation method</b>	welded
<b>shapes available</b>	rectangular, trapezoid, circular, oval, special
<b>frame material</b>	ST, SS, AL
<b>glass retainer material</b>	ST, AL, brass
<b>optional mulion</b>	vertical, horizontal
<b>options</b>	external storm cover, deadlight



<b>installation method</b>	bolted
<b>shapes available</b>	rectangular, trapezoid, circular, oval, special
<b>frame material</b>	ST, SS, AL
<b>glass retainer material</b>	ST, AL, brass
<b>optional mulion</b>	vertical, horizontal
<b>options</b>	external storm cover, deadlight



<b>installation method</b>	clamped
<b>shapes available</b>	rectangular, trapezoid, circular, oval, special
<b>frame material</b>	ST, SS, AL
<b>glass retainer material</b>	ST, AL, brass
<b>optional mulion</b>	vertical, horizontal
<b>options</b>	external storm cover, deadlight

## SIDE SCUTTLES - OPENING



<b>installation method</b>	welded
<b>frame material</b>	ST, SS, AL
<b>glass retainer material</b>	ST, AL, brass
<b>optional mulion</b>	vertical, horizontal
<b>options</b>	external storm cover, deadlight



<b>installation method</b>	bolted
<b>frame material</b>	ST, SS, AL
<b>glass retainer material</b>	ST, AL, brass
<b>optional mulion</b>	vertical, horizontal
<b>options</b>	external storm cover, deadlight

# SLIDING WINDOWS



**type** horizontal  
**installation method** bolted  
**shapes available** rectangular, special  
**frame material** ST, SS, AL  
**glass retainer material** ST, AL, brass



**type** horizontal  
**installation method** welded  
**shapes available** rectangular, special  
**frame material** ST, SS, AL  
**glass retainer material** ST, AL, brass



**type** vertical  
**installation method** bolted  
**shapes available** rectangular, special  
**frame material** ST, SS, AL  
**glass retainer material** ST, AL, brass



**type** vertical  
**installation method** welded  
**shapes available** rectangular, special  
**frame material** ST, SS, AL  
**glass retainer material** ST, AL, brass



## SHIP WINDOWS - FIXED - FIRE RATED



<b>installation method</b>	welded
<b>shapes available</b>	rectangular, trapezoid, circular, oval, special
<b>frame material</b>	ST, SS
<b>glass retainer material</b>	SS
<b>optional mulion options</b>	vertical, horizontal external storm cover, deadlight



<b>installation method</b>	bolted
<b>shapes available</b>	rectangular, trapezoid, circular, oval, special
<b>frame material</b>	ST, SS
<b>glass retainer material</b>	SS
<b>optional mulion options</b>	vertical, horizontal external storm cover, deadlight

## SIDE SCUTTLES - FIXED - FIRE RATED



<b>installation method</b>	welded
<b>frame material</b>	ST, SS
<b>glass retainer material</b>	SS
<b>optional mulion options</b>	vertical, horizontal external storm cover, deadlight



<b>installation method</b>	bolted
<b>frame material</b>	ST, SS
<b>glass retainer material</b>	SS
<b>optional mulion options</b>	vertical, horizontal external storm cover, deadlight



## SIDE SCUTTLES - OPENING - FIRE RATED



<b>installation method</b>	welded
<b>shapes available</b>	rectangular, trapezoid, circular, oval, special
<b>frame material</b>	ST, SS
<b>glass retainer material</b>	SS
<b>optional mulion options</b>	vertical, horizontal external storm cover, deadlight



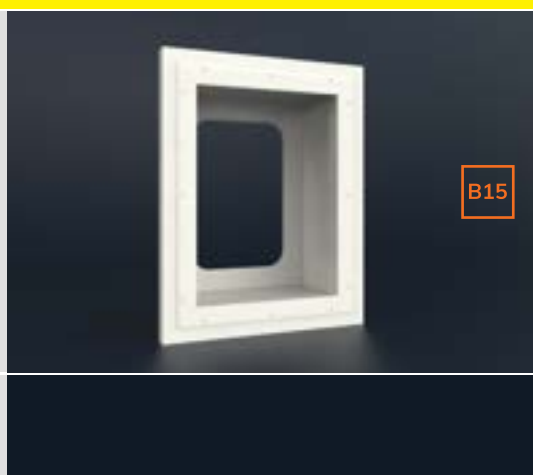
<b>installation method</b>	bolted
<b>shapes available</b>	rectangular, trapezoid, circular, oval, special
<b>frame material</b>	ST, SS
<b>glass retainer material</b>	SS
<b>optional mulion options</b>	vertical, horizontal external storm cover, deadlight

## SIDE SCUTTLES - OPENING - FIRE RATED



<b>installation method</b>	welded
<b>frame material</b>	ST, SS
<b>glass retainer material</b>	SS
<b>optional mulion options</b>	vertical, horizontal external storm cover, deadlight

## WINDOW BOXES



<b>type</b>	telescopic design / adjustable depth
<b>material</b>	ST, SS
<b>finish</b>	shot blasting, painted RAL / NCS
<b>insulation</b>	ROCKWOOL / PAROC (30mm, 130kgm <sup>3</sup> )



# SHIP DOORS / SHIP HATCHES



## SHIP DOORS - NON-CLASSIFIED

Type	Operation	Leaves	Material	Bolts qty
BOH.0110	hinged	1	ST	-
BOH.0410	hinged	1	ST, SS, AL	-
BOH.0411	hinged	1	ST, SS, AL	-
BOH.0412	hinged	1	ST, SS, AL	-

## SHIP DOORS - SPRAYTIGHT

Type	Operation	Leaves	Material	Bolts qty
BOH.0102	hinged	1	ST, SS, AL	2
BOH.0103	hinged	1	ST, SS, AL	2
BOH.0162	hinged	1	GRP	2
BOH.0180	sliding	1	ST	-
BOH.0202	hinged	2	ST, SS, AL	4
BOH.0301	hinged	1	ST	2
BOH.0302	hinged	2	ST	4
BOH.Y152	hinged	1	AL	-
BOH.Y252	hinged	2	AL	-

## SHIP DOORS - WEATHERTIGHT

Type	Operation	Leaves	Material	Bolts qty
BOH.0101	hinged	1	ST, SS, AL	6, 4
BOH.0150	hinged	1	ST, SS, AL	2, 5
BOH.0160	hinged	1	GRP	5
BOH.0161	hinged	1	GRP	5

## SHIP DOORS - WEATHERTIGHT

Type	Operation	Leaves	Material	Bolts qty
BOH.0201	hinged	2	ST, SS, AL	6, 10
BOH.0231	hinged	2	ST, SS, AL	9
BOH.0331	hinged	1	ST, SS, AL	2, 3, 4, 5
BOH.0335	hinged	1	ST, SS, AL	6, 8
BOH.0338	hinged	1	ST, SS, AL	6, 8

## SHIP DOORS - WATERTIGHT

Type	Operation	Leaves	Material	Bolts qty
BOH.0245 - up to 0.7bar	hinged	2	ST	32
BOH.0340 - up. to 0.4bar	hinged	1	ST, SS, AL	8, 10
BOH.0345 - up to 1.5bar	hinged	1	ST	8, 10, 12, 14
BOH.0335 - up to 3.0bar	hinged	1	ST	14

## SHIP DOORS - FIRE RATED



Type	Tightness	Fire class	Leaves	Material	Bolts qty
BOH.0101	weathertight	A30	1	ST	4
BOH.0150	weathertight	A0/A30	1	ST	5
BOH.0231	weathertight	A60	2	ST	9
BOH.0232	weathertight	A60	2	ST	9
BOH.0245 - up to 0.7bar	watertight	A60	2	ST	32
BOH.0335	weathertight	A60	1	ST	6, 8
BOH.0340	watertight	A60	1	ST	8, 10
BOH.0411	internal	A30	1	ST	-
BOH.0412	internal	A60	1	ST	-

# WIPERS



## WIPERS



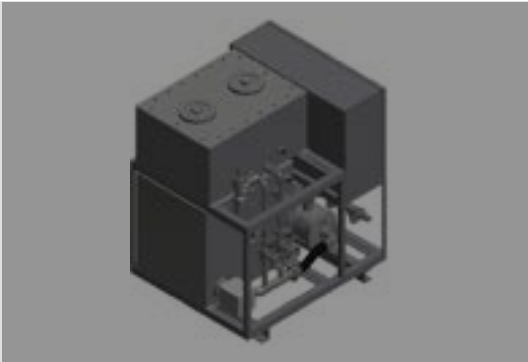
**types** pantograph / pendulum  
**models** W40.16-A  
W40.16-AS  
W60.16-A  
W60.16-AS  
W60.16-A.02  
W60.16-Z  
**cleaning area** up to 70%



**types** horizontal  
**models** WAL.E.2100  
WAL.I.2100  
**cleaning area** up to 90%

**Accessories:** spray system, electrovalves, tanks for spray systems, PSU power distribution cabinets.

## WASHING UNITS

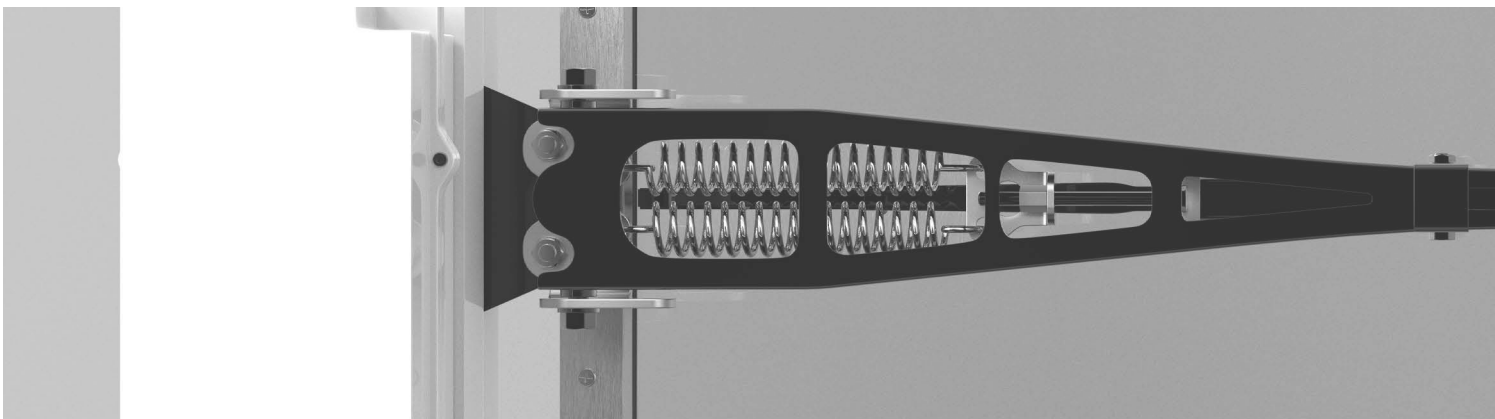


**Advanced washing units** Model WWS.01 Model WWS.03 Model WWS.300D Such units are used to supply the appropriate cleaning agent to the piping system and nozzles installed on windows or wipers. Such devices have functions such as:

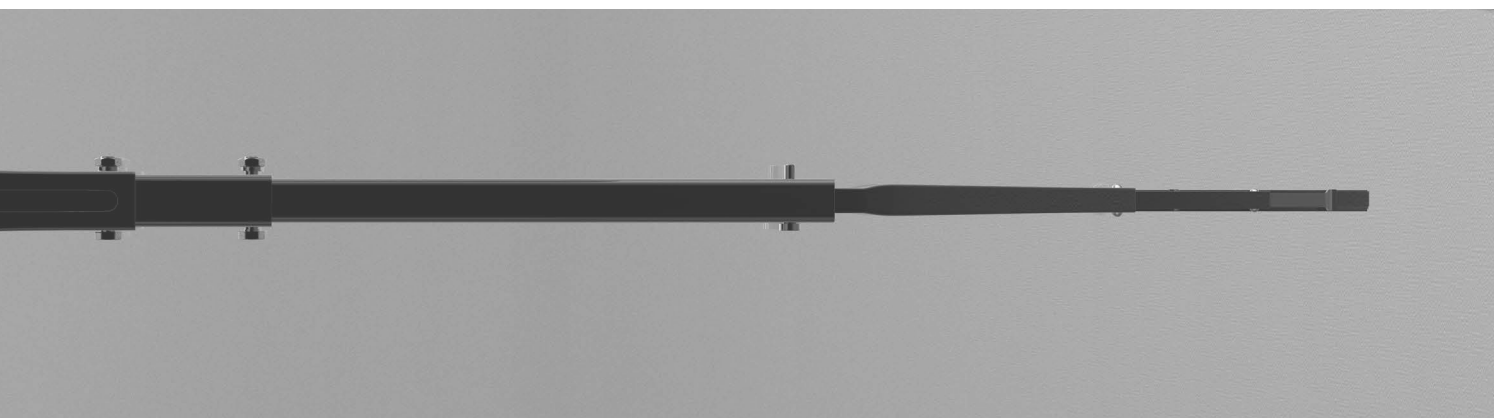
- Fresh water heating
- Additional detergent tank
- Additional glycol tank
- Automatic refilling of fresh water in the main tank
- System pressure measurement up to 7 BAR
- Electronic level measurement in all liquid tanks
- Full communication with the system installed on the bridge along with signaling of low fluid levels
- Advanced control system based on the MS 24 VDC touch panel that controls the wipers.

# WIPERS - CONTROL UNITS

Model	Power supply	Horizontal wiper (all types)	Pantograph wiper W40.16	Pantograph wiper W60.16
MS 24 VDC + IMS 24 VDC	24 VDC	*	*	*
MS 24 VDC + IMS 230 VAC	230 VAC	*	*	*
WCP.P.S2 + EMS 24 VDC	24 VDC	*	*	*
WCP.P.S2 + EMS 230 VAC	230 VAC	*	*	*
MCP.01.H S + IMS 24 VDC	24 VDC	*	*	*
MCP.01.H S + IMS 230 VAC	230 VAC	*	*	*
WCP.S1	24 VDC	X	X	*
WCP.S2	24 VDC	X	X	*
WCP.S3	24 VDC	X	X	*
WCP.S4	24 VDC	X	X	*
WCP.S5	24 VDC	X	X	*
WCP.S6	24 VDC	X	X	*
WCP.W1.H S	24 VDC	*	*	*
WCP.W2.H S	24 VDC	*	*	*
WCP.W3.H S	24 VDC	*	*	*
WCP.W4.H S	24 VDC	*	*	*



Qty of wipers	ON/OFF	Speed regulation	Interval regulation	Heating control	Spraying control
1-80	*	*	*	*	*
1-80	*	*	*	*	*
1	*	*	*	*	*
1	*	*	*	*	*
1-10	*	*	*	*	*
1-10	*	*	*	*	*
1	*	*	X	X	X
2	*	*	X	X	X
3	*	*	X	X	X
4	*	*	X	X	X
5	*	*	X	X	X
6	*	*	X	X	X
1	*	*	*	*	*
2	*	*	*	*	*
3	*	*	*	*	*
4	*	*	*	*	*



# ALUMINUM JOINERY



**type** hinged doors  
**application** internal, external  
**fire rating** -  
**material** AL 6060 / 6063, anti-corrosion precoat, powder painted  
**infill** glass, solid panel  
**options** window, panic fittings, el. drive, etc

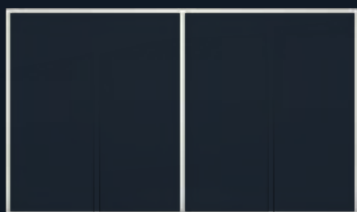


B15

A0

A30

**type** hinged doors  
**application** internal, external  
**fire rating** B15, A0, A30  
**material** AL 6060 / 6063, anti-corrosion precoat, powder painted  
**infill** glass, solid panel  
**options** window, panic fittings, el. drive, etc



B15

**type** fixed window  
**application** internal, external  
**fire rating** non-rated, B15  
**material** AL 6060 / 6063, anti-corrosion precoat, powder painted  
**infill** glass  
**options** functional glass



**type** manual sliding doors  
**application** internal, external  
**fire rating** -  
**material** AL 6060 / 6063, anti-corrosion precoat, powder painted  
**infill** glass, solid panel  
**options** low sill, el. drive, child lock



A0

**type** automatic sliding doors  
**application** internal, external  
**fire rating** non-rated, A0  
**material** AL 6060 / 6063, anti-corrosion precoat, powder painted  
**infill** glass, solid panel  
**options** heated sill, remote network control, radar, barrier, overload safety switch



## ALUMINUM JOINERY



<b>type</b>	inner window
<b>application</b>	internal
<b>fire rating</b>	non-rated, B15
<b>material</b>	AL 6060 / 6063, anti-corrosion precoat, powder painted
<b>infill</b>	glass
<b>options</b>	soundproof glass up to 41dB



<b>type</b>	facade, public glazing
<b>application</b>	internal, external
<b>fire rating</b>	-
<b>material</b>	AL 6060 / 6063, anti-corrosion precoat, powder painted
<b>infill</b>	glass, solid panel
<b>options</b>	functional glass

## MODULAR BALCONY SYSTEM



<b>type</b>	BOHSLIDE balcony door (horizontal or vertical)
<b>material</b>	AL 6060 / 6063, anti-corrosion precoat, powder painted
<b>pressure load</b>	up to 18kPa
<b>options</b>	child lock, smoke detector, el. drive, AC switch



<b>type</b>	balustrade
<b>material</b>	SS, AL 6060 / 6063, anti-corrosion precoat, powder painted
<b>pressure load</b>	up to 5kPa
<b>options</b>	safety glass, AL / wood/ composite handrails

<b>type</b>	divider
<b>material</b>	AL 6060 / 6063, anti-corrosion precoat, powder painted
<b>options</b>	safety glass, solid panel,

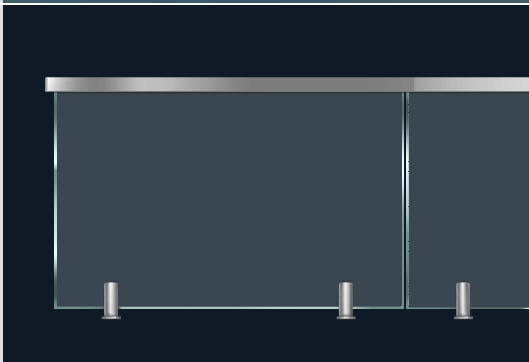
<b>type</b>	flooring with water drain system
<b>material</b>	AL 6060 / 6063, anti-corrosion precoat, powder painted

# GLASS

Shape	Safety functions	Functionality	Colour
flat	ESG	heated	transparent
bent	laminated	isolated	tinted
		soundproof	silk print
		fire-rated	
		bulletproof	
		Priva-Control	
		EMI	
		explosionproof	
		shatterproof	



**type** heated glass  
**power** acc. to ISO3434 up to 21W/dm<sup>2</sup>  
**voltage** 24VDC, 230VAC, 440VAC



**type** laminated safety glass  
**foils** PVB, SGP, EVA



**type** bulletproof Armex® glass  
**classes** BR4S(NS) - BR7S(NS) acc. to EN1063  
 Level1 acc. to Stanag 4569/AEP-55  
 Level2 acc. to Stanag 4569/AEP-55 -  
 certificate pending

# GLASS



**type** fire-rated Bohflam® glass  
**classes** A0, A30, A60,  
B0, B15  
H60, H120



**type** bent glass  
**shapes** cone, cylinder  
**bending** 2 dimensions  
**options** heated, A0 fireproof



**type** Priva-Control®  
variable transparency glass



**type** E-Magnetic®  
**frequency** from 100kHz to 40GHz  
**attenuation** up to 40dB  
**light transmission** up to 80%



**type** tinted glass  
**thickness** 6 - 12mm  
**colours** grey, brown, green, blue

# BOHAMET

BOHAMET S.A.  
Ciele, ul. Toruńska 2  
86-005 Białe Błota, POLAND

mail: [sales@bohamet.pl](mailto:sales@bohamet.pl)  
phone: +48 52 32 03 900  
web: [www.bohamet.com](http://www.bohamet.com)  
VAT-UE: PL5540384828  
registration no.: 0000471258