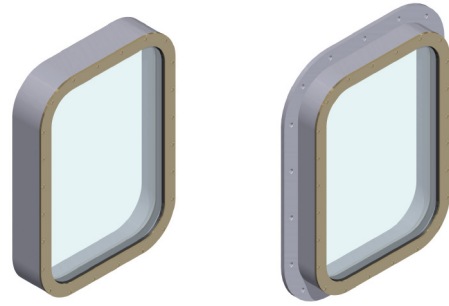


NON OPENING WINDOW

TYPE NOW/NOB



PURPOSE

Non opening windows are designed mainly for mounting (welding or bolting) in walls of superstructure.

Special shaped windows could also be installed in wheelhouse.

CHARACTERISTICS

Windows are designed according to ISO 3903.

Special shaped windows (trapezoid, parallelogram, etc.) are available.

STANDARD PAINTING

Steel frames of windows for welding are delivered primed (shop primer).

Alu. alloy or st. steel frames are delivered not painted.

Frames for bolting windows (regardless of the material used) are delivered painted. Colour of top coat to be given at order.

Any other requirements to be specified by customer.

Glass retaining list surface treatment:

- grinded (brushed) P120 to P400 (P120 as standard),
- polished or high quality polished,
- painted.

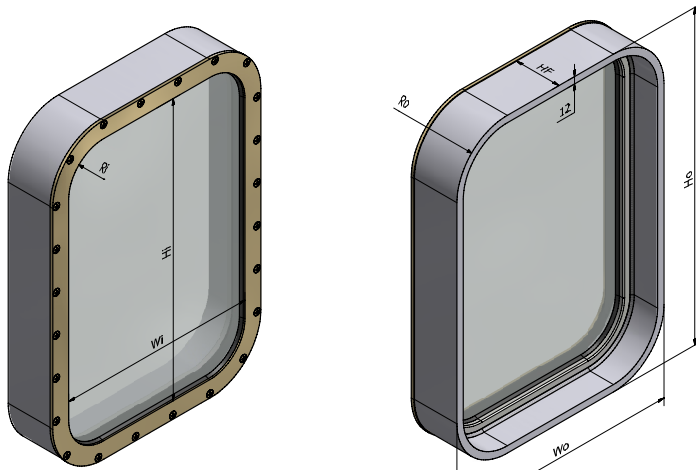
WINDOWS MENTIONED IN ISO3903

Model no.	nominal size			main frame			cut out (hole in plate)			glass thickness	
	Wi	Hi	Ri	Wo	Ho	Ro	Wc	Hc	Rc	Type E	Type F
1	300	425	50	348	473	74	352	477	76	10	8
2	355	500	50	403	548	74	407	552	76	10	8
3	400	560	50	448	608	74	452	612	76	12	8
4	450	630	100	498	678	124	502	682	126	12	8
5	500	710	100	548	758	124	552	762	126	15	10
6	560	800	100	608	848	124	612	852	126	15	10
7	900	630	100	948	678	124	952	682	126	19	12
8	1000	710	100	1048	758	124	1052	762	126	19	12
9	1100	800	100	1148	848	124	1152	852	126	-	15

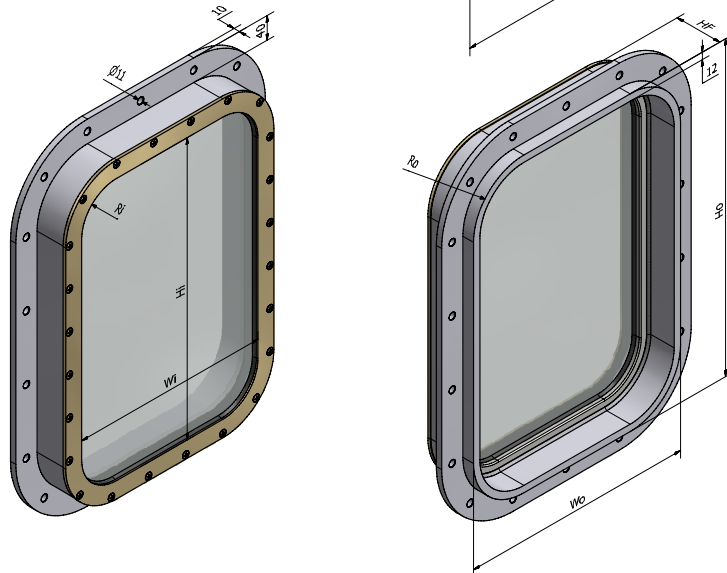
TECHNICAL SPECIFICATION

1	frame material	steel	stainless steel	aluminum alloy	brass
2	glass retaining list material	steel	stainless steel	aluminum alloy	brass
3	glass type	single	laminated	double glazed	el. heated
4	other properties	sound proof	bullet proof	fire proof	EMS shielding
5	gaskets	EPDM	silicone	rubber	glued
6	additional accessories	clear view screen	deadlight	roller blind	wiper

NOW TYPE (FOR WELDING)



NOB TYPE (FOR BOLTING)



When placing an order, following informations to be given:

- dimensions of window (clear light or external cut out),
- type of window NOW (for welding) or NOB (forbolting),
- materials: frame, glass retaining list,
- depth of frame (HF),
- glass thickness or design pressure,
- glass type (single, laminated, el.heated, etc.) ,
- any other requirements (as many as possible).

